

YASA-400

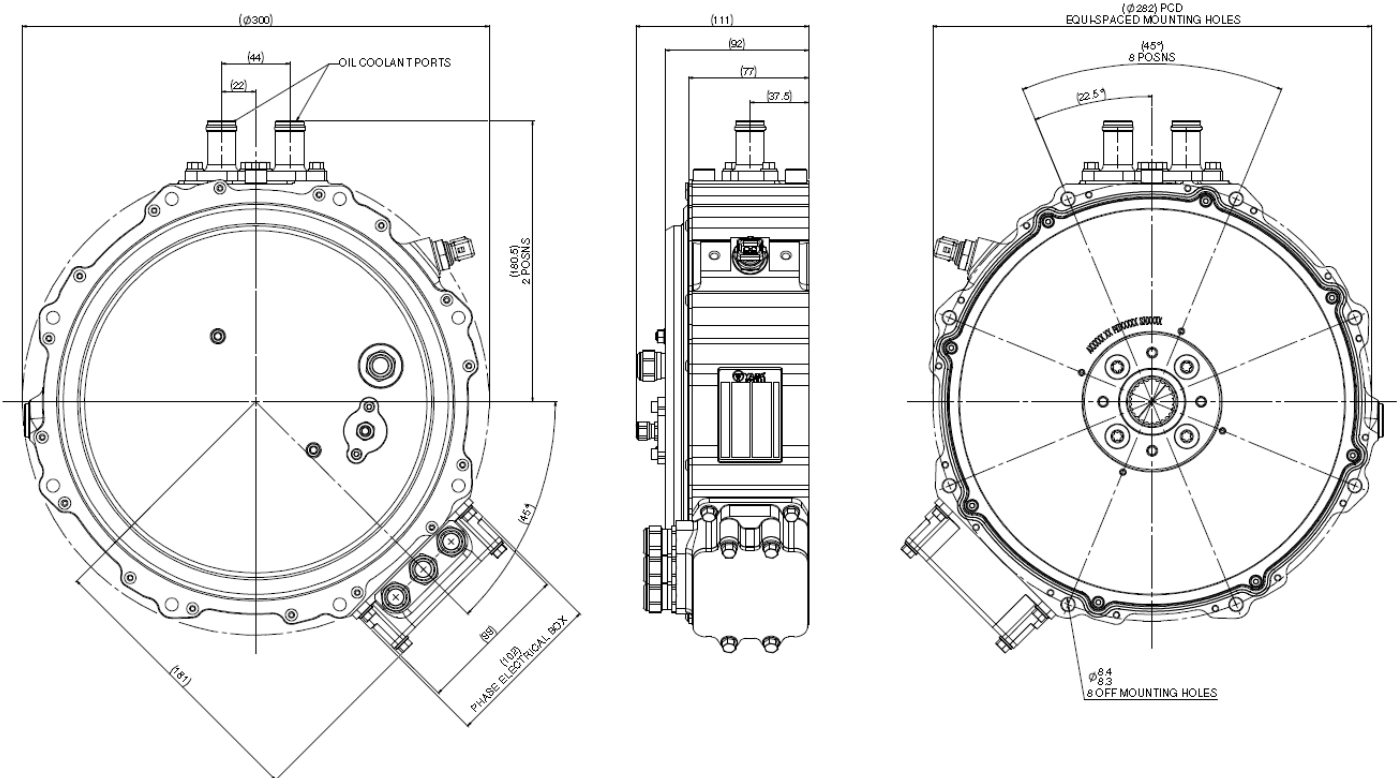
AXIAL FLUX ELECTRIC MOTOR

YASA® Motors is the industry leader in high power and torque dense, advanced axial flux electric motors and generators.

Due to the significant increase in torque and power density that YASA's proprietary motor technology makes available, YASA are changing the way many industries think about how to hybridise and electrify their applications. YASA motors are viewed by many as an application technology enabler.

The **YASA topology** has had thousands of hours of application and durability testing with proven reliability and quality.

The **YASA 400** is used in a variety of fixed and mobile applications for power generation, traction and hydraulic replacement.

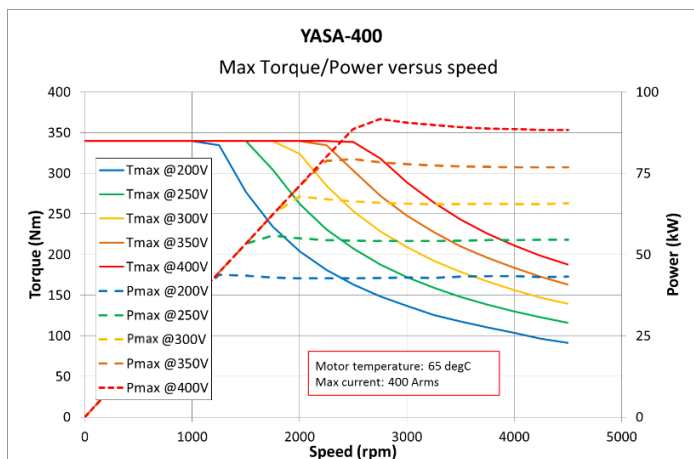


Specifications (see notes)

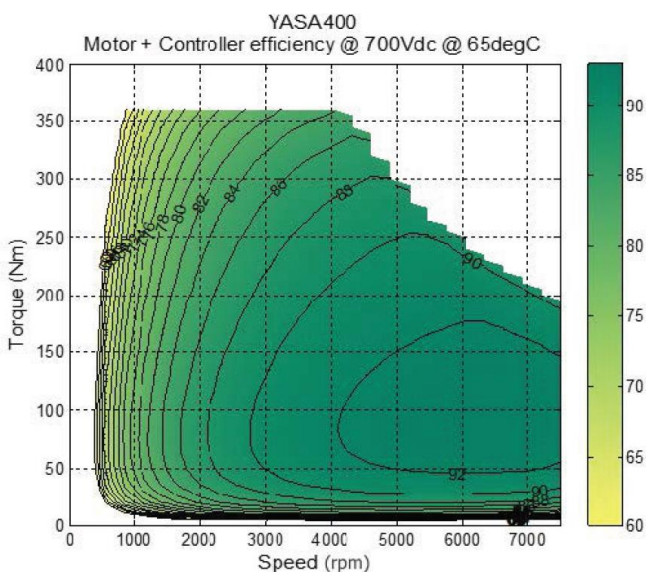
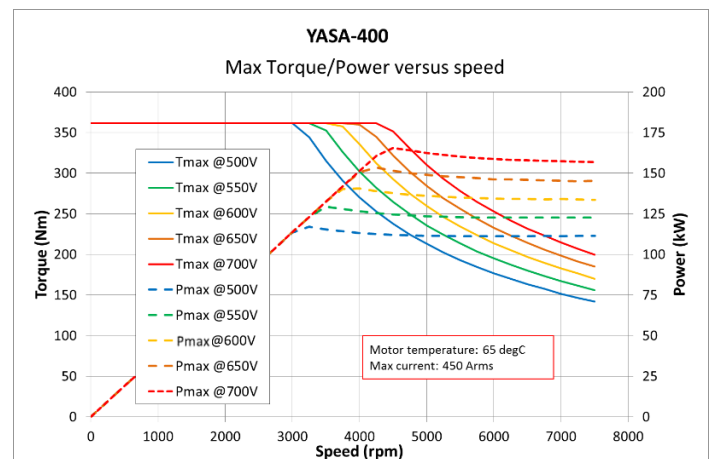
Peak torque @ 450 A _{RMS} @ 65°c	360 Nm
Continuous Torque	250 Nm
Peak Power @ 400 V _{DC} @ 65°c	90 kW
Peak Power @ 700 V _{DC} @ 65°c	165 kW
Continuous Power	50 to 70 kW
Speed	0 – 7500 rpm
Peak Efficiency	>95%
Weight	24 kg

Electrical Performance

Performance with 400 Vdc & 400 Arms Controller



Performance with 800 Vdc & 450 Arms Controller



Specifications are based on test data with coolant at 65°C (inlet), 12 L/m and 30°C ambient. Actual performance will vary with drive cycle, cooling and installation details.

Please **contact us** to discuss your application requirements. We can then supply detailed information on the YASA products and options that may be suitable for you.

Best in Class Torque and Power Density